

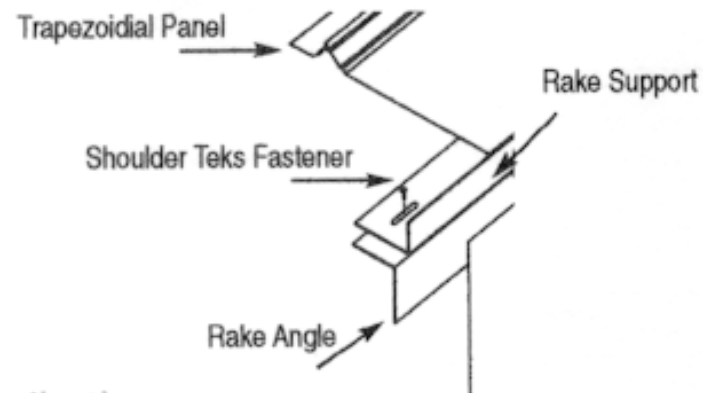


BUILDING IDEAS THAT WORK®

## Shoulder TEKS®

### Self-Drilling Fasteners

Medium and Heavy Duty Shoulder Fasteners for the Attachment of Floating Rake Angles.



### Applications

- Floating Rake Angle Attachment to Metal Purlins bar Joist or Substructure.



### Product Benefits

- Teks/3 for medium duty applications (purlins - 20 gauge - 3/16" thick).
- Teks/4.5 for heavy duty applications (bar joist - 1/8" - 3/8" thick).
- Shoulder on screw provides non-threaded area for hole in rake angle to slide upon.
- Shoulder allow metal roof to expand and move to prevent buckling and dynamic load failure.





## Product Specifications

Diameter.....1/4"  
 Thread Form.....14 and 20  
 Head Style.....Both 5/16" AF HWH with shoulder  
 Point Type.....Teks 3 and Teks 4.5  
 Material.....1022 Carbon Steel  
 Finish.....Climaseal®

## Corrosion Resistance

- Kesternich Results (DIN 50018, 2.0L)
  - 30 Cycles - 10% or less red rust
- Salt Spray Results (ASTM B117)
  - 720 hours - 10% or less red rust

Part#	Description	Head Style	Drill Point	Max Material Attachment
1713053	1/4-14 x 1-1/4" with shoulder	HWH	#3	.617
1718053	1/4-20 x 1-1/4" with shoulder	HWH	#4.5	.442

[View this page in PDF format - \(92 Kb\)](#)

## Information Request Form

Select the items that apply, and then let us know how to contact you.

Send product literature

Have a salesperson contact me

I am looking for a source near me for this (ITW Buildex) product

Name

*Title*

*Company*

*Address*

*E-mail* *required*

*Phone*

*FAXNumber*

[Return to Home Page](#)

Information: submit a [request](#) or contact,

Last modified: August 19, 2004



- An independent, non-profit content rating organization.

Copyright © 1998-2003: ITW Buildex. All trademarks or registered trademarks used are trademarks of ITW Buildex and Illinois Tool Works, Inc. [ITW Buildex Privacy Policy](#)

**ITW Buildex** uses WebTrends Live to analyze traffic to this web site. WebTrends Live does not create individual profiles for visitors. Unlike some tracking services WebTrends Live does not have a database of individual profiles for each visitor. WebTrends Live only collects aggregate data. For more information about WebTrends Live privacy policy, [please click here](#).

Send mail to: with questions or comments about the webpage.