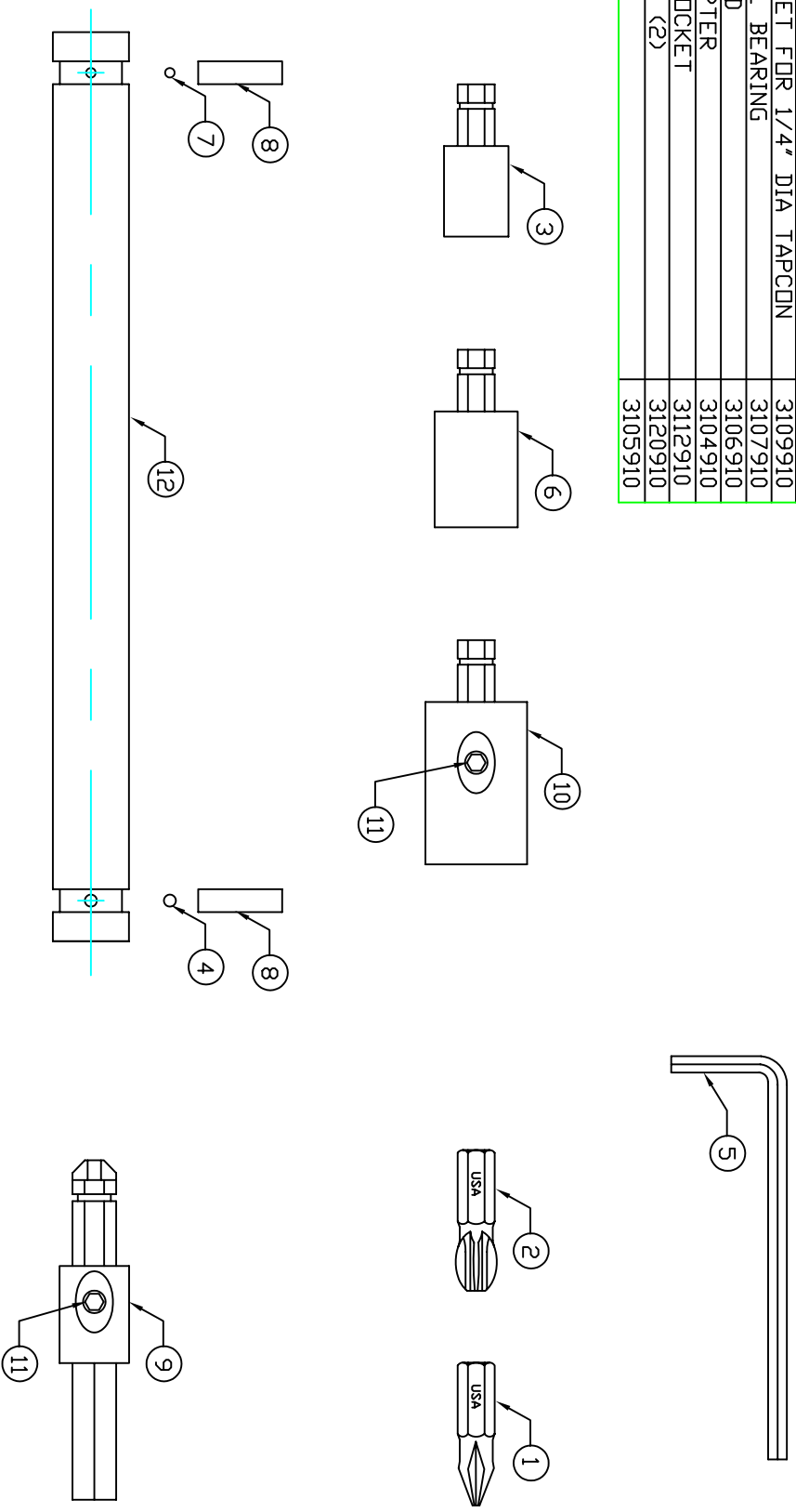


NUM.	DESCRIPTION	PART #
1	#2 PHILLIPS BIT FOR 3/16" DIA TAPCON	3110910
2	#3 PHILLIPS BIT FOR 1/4" DIA TAPCON	3111910
3	1/4" SOCKET FOR 3/16" DIA TAPCON	3108910
4	1/8" BALL BEARING	3121910
5	1/8" HEX KEY	3122910
6	5/16" SOCKET FOR 1/4" DIA TAPCON	3109910
7	5/32" BALL BEARING	3107910
8	BLACK BAND	3106910
9	DRILL ADAPTER	3104910
10	PHILLIPS SOCKET	3112910
11	SET SCREW (2)	3120910
12	SLEEVE	3105910

SALES PRINT



DRAWN BY:	DATE:
DCH	2-22-99
CHKD.:	APPR.:
MATERIAL:	
CAP PART #:	
WASHER PART #:	
WASHER MAT'L:	S.S. CAP MAT'L:
FINISH:	

CONFIDENTIAL

THE ENTIRE CONTENT OF THIS DRAWING IS THE CONFIDENTIAL PROPERTY OF ILLINOIS TOOL WORKS, INC. REPRODUCTION IN ANY MANNER OF ALL OR PART OF THIS DRAWING, AND USE OF INFORMATION CONTAINED HEREIN, WITHOUT THE EXPRESSED WRITTEN CONSENT OF ILLINOIS TOOL WORKS, INC. IS PROHIBITED.

SIZE:	CONDRIVE 1000
TYPE:	
DRAWING #:	CON 1000
BUILDEX PART #:	3103910
REVISION NUMBER	0

